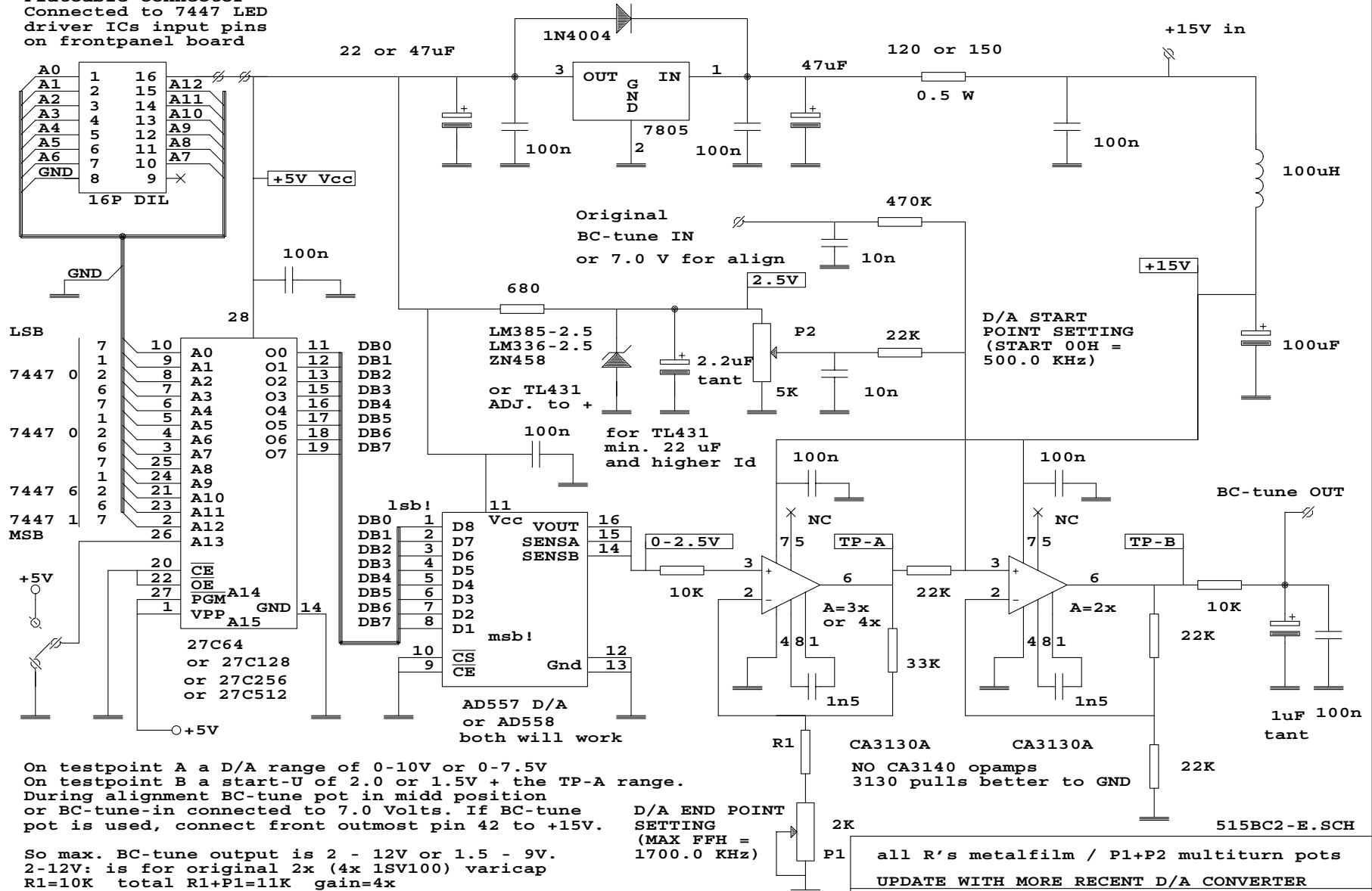


Flatcable connector
 Connected to 7447 LED
 driver ICs input pins
 on frontpanel board



On testpoint A a D/A range of 0-10V or 0-7.5V
 On testpoint B a start-U of 2.0 or 1.5V + the TP-A range.
 During alignment BC-tune pot in midd position
 or BC-tune-in connected to 7.0 Volts. If BC-tune
 pot is used, connect front outmost pin 42 to +15V.

So max. BC-tune output is 2 - 12V or 1.5 - 9V.
 2-12V: is for original 2x (4x 1SV100) varicap
 R1=10K total R1+P1=11K gain=4x
 1,5-9V: for better (equal) tuning with 2x (2x BB212) duodiode.
 R1=15K total R1+P1=16K5 gain=3x
 For equal tuning two 10 pF trim C's may also be needed.
 See also QuickBasic programs to make from 11 measured values
 very fast all the 1000 intermediate values and fill the
 eeprom *.BIN file. See ZIP file. Comments and remarks in Dutch!

D/A END POINT
 SETTING
 (MAX FFH =
 1700.0 KHz)

all R's metalfilm / P1+P2 multiturn pots		
UPDATE WITH MORE RECENT D/A CONVERTER		
Title		
AUTOMATIC BC-TUNE CIRCUIT FOR THE NRD-515		
Size	Document Number	REV
A	Created by W. Geeraert	2.1
Date:	September 14, 2008	Sheet 1 of 1