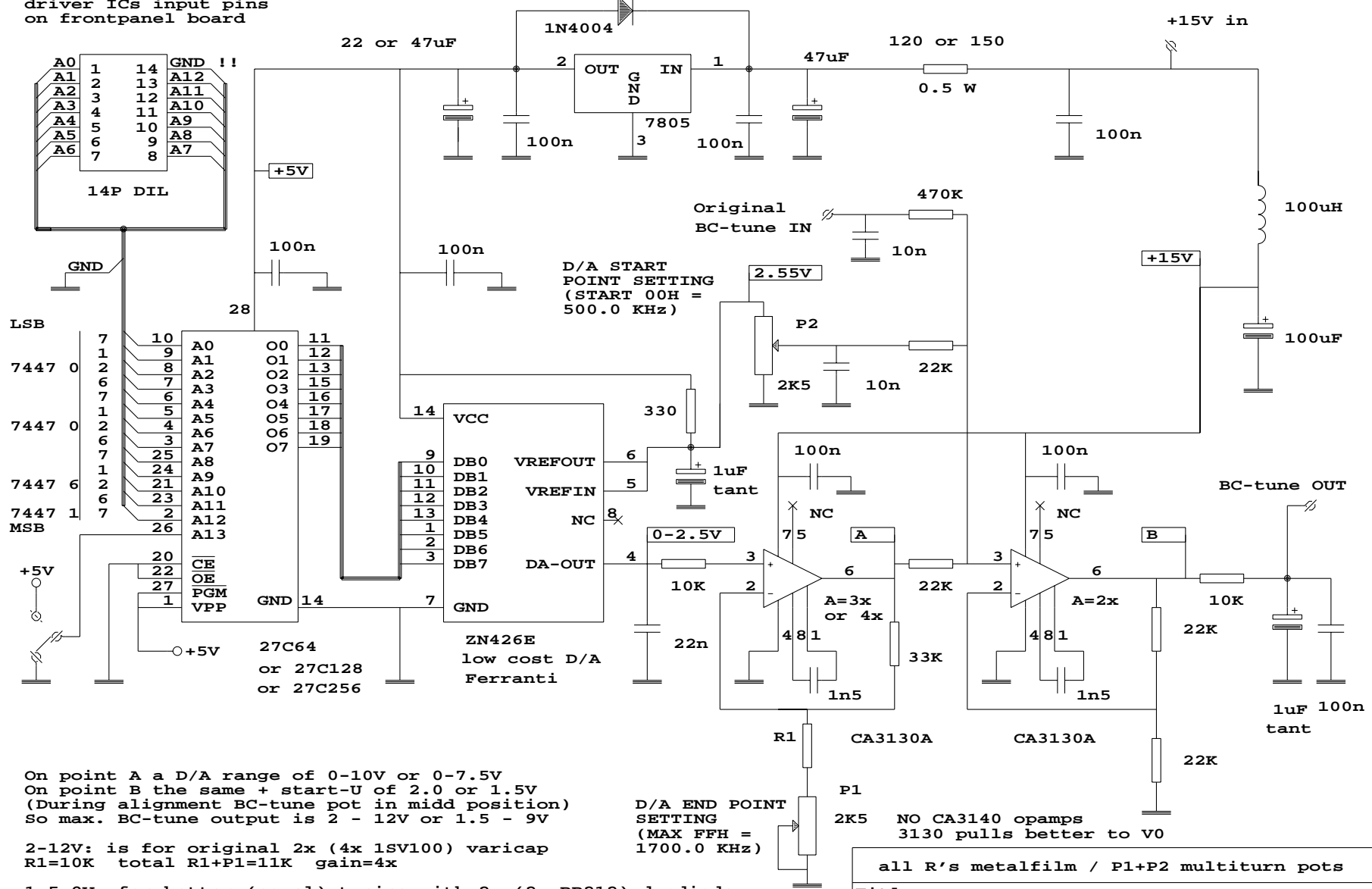


Connected to 7447 LED driver ICs input pins on frontpanel board



On point A a D/A range of 0-10V or 0-7.5V
 On point B the same + start-U of 2.0 or 1.5V
 (During alignment BC-tune pot in midd position)
 So max. BC-tune output is 2 - 12V or 1.5 - 9V

2-12V: is for original 2x (4x 1SV100) varicap
 R1=10K total R1+P1=11K gain=4x

1,5-9V: for better (equal) tuning with 2x (2x BB212) duodiode.
 R1=15K total R1+P1=16K5 gain=3x

See also QuickBasic programs to make from 11 measured values very fast all the 1000 intermediate values and fill the eeprom *.BIN file. See ZIP file. Comments and remarks in Dutch

Title		
AUTOMATIC BC-TUNE CIRCUIT FOR THE NRD-515		
Size	Document Number	REV
A	Created by W. Geeraert	A
Date:	December 24, 1999	Sheet 1 of 1