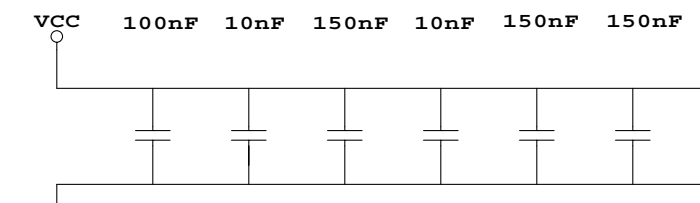
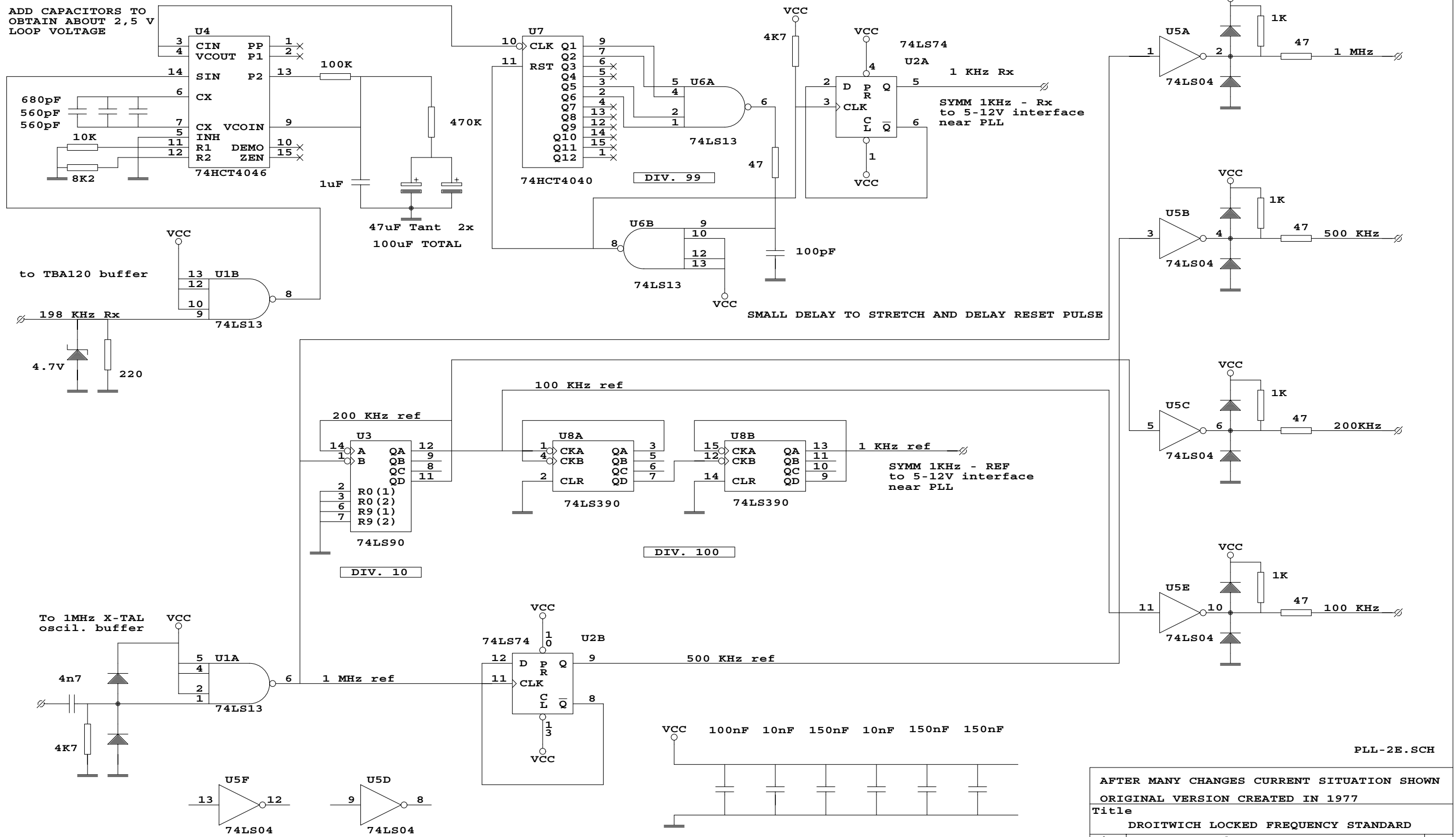


MODULATION JITTER FILTER, ALSO
DROPOUT AND PHASE JUMP SUPPRESSION

198 KHz Rx filtered

2 KHz Rx $1/2T / 198 \text{ kHz}$

ADD CAPACITORS TO
OBTAIN ABOUT 2,5 V
LOOP VOLTAGE



PLL-2E.SCH

AFTER MANY CHANGES CURRENT SITUATION SHOWN
ORIGINAL VERSION CREATED IN 1977

Title		
DROITWICH LOCKED FREQUENCY STANDARD		
Size	Document Number	REV
B	made by W. Geeraert PE1ABR	5
Date:	December 12, 2008	Sheet 2 of 3

